

DF68 (A859)

PARTS CATALOG

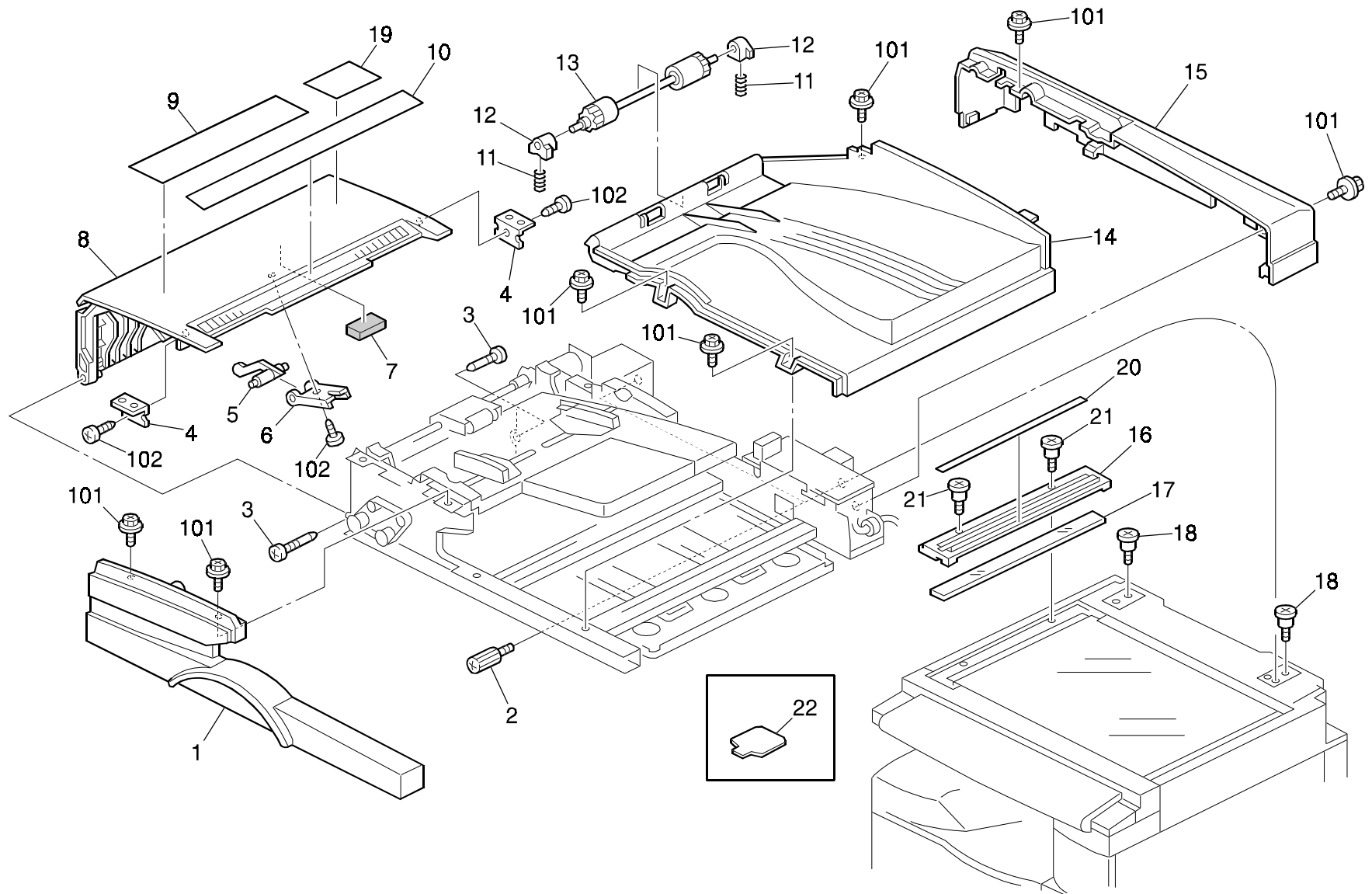
INTRODUCTION

This chapter instructs you the numbers and names of parts on this machine.

INDEX to PARTS CATALOG

1.EXTERIOR (A859)	2
2.ORIGINAL FEED 1 (A859)	4
3.ORIGINAL FEED 2 (A859)	6
4.ORIGINAL EXIT 1 (A859).....	8
5.ORIGINAL EXIT 2 (A859).....	10
6.ELECTRICAL SECTION (A859).....	12
7.FRAME SECTION (A859)	14
8.DECAL AND DOCUMENT (A859)	16
PARTS INDEX.....	19

1.EXTERIOR (A859)

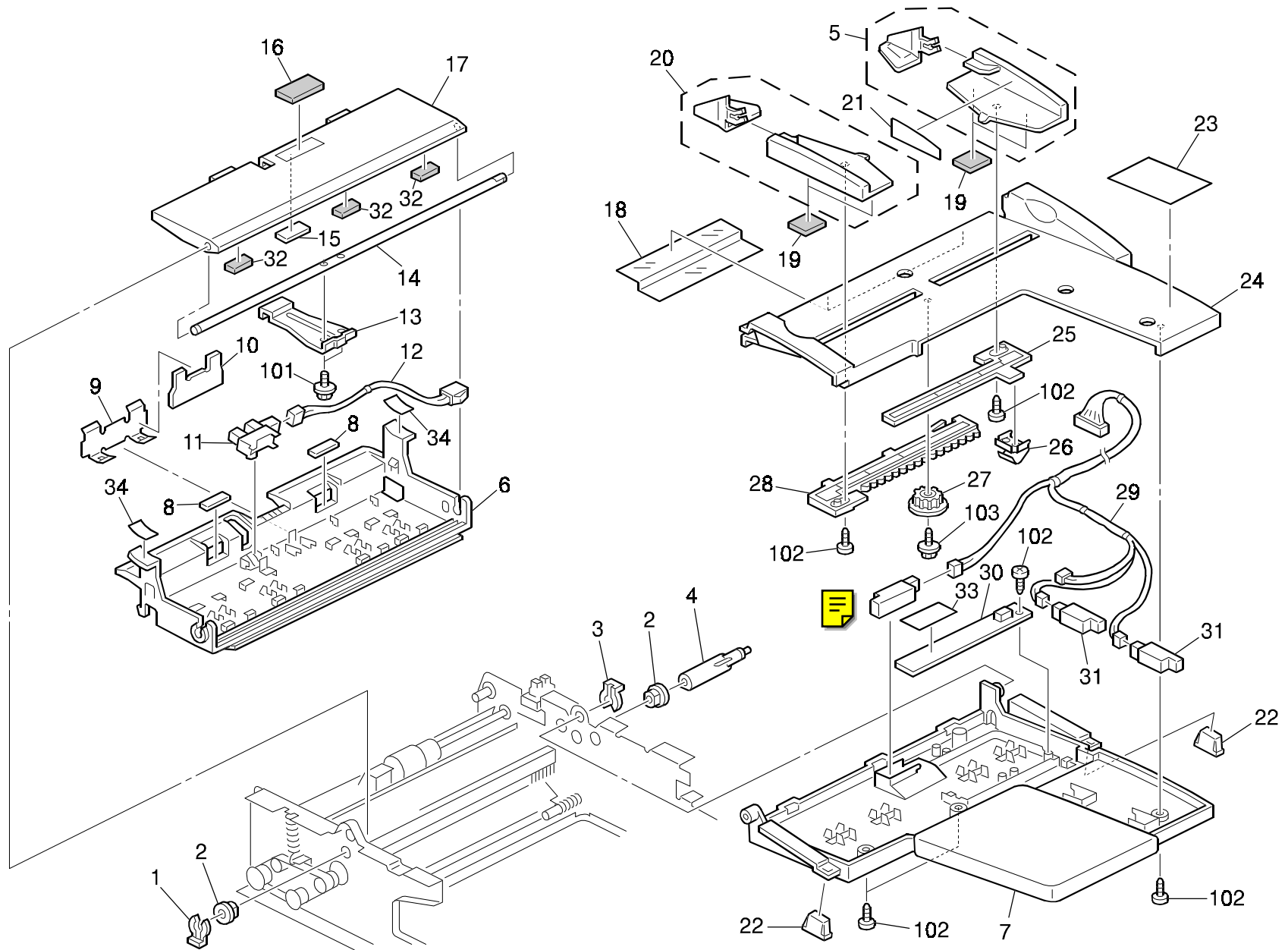


1.EXTERIOR (A859)

Index No.	Part No.	Description	Q'ty Per Assembly
1	A859 4811	Front Cover	1
2	A628 3115	Knob Screw - M4	1
3	5446 2824	Screw - Duplex Guide Plate	1
4	A859 4873	Positioning Plate	2
5	A859 4871	Feeler - Original Sensor	1
6	A859 4872	Bracket - Feeler	1
7	A859 4881	Cushion - Paper Feed	1
8	A859 4841	Left Cover	1
9	A859 6011	Decal - Misfeed Removal	1
10	A859 6021	Decal - Size Indication	1
11	AA06 3311	Transport Roller Spring	2
12	A859 4836	Bushing - Exit Driven Roller	2
13	A859 4837	Exit Driven Roller	1
14	A859 4831	Upper Cover	1
15	A859 4821	Rear Cover	1
16	A859 7101	Scale	1
17	AC01 3004	Exposure Glass	1
18	A859 7211	Stepped Screw	2
19	A859 6052	Decal - Exposure Glass	1
20	A858 6051	Decal - Scale (A4)	1
20	A859 6061	Decal - Original Scale - LT	1
21	A628 3115	Knob Screw - M4	2
22	A628 3118	Screw Driver - DF	1

Index No.	Part No.	Description	Q'ty Per Assembly
101	0451 3006B	Tapping Screw - M3x6	
102	0452 3008B	Tapping Screw - M3x8	

2.ORIGINAL FEED 1 (A859)

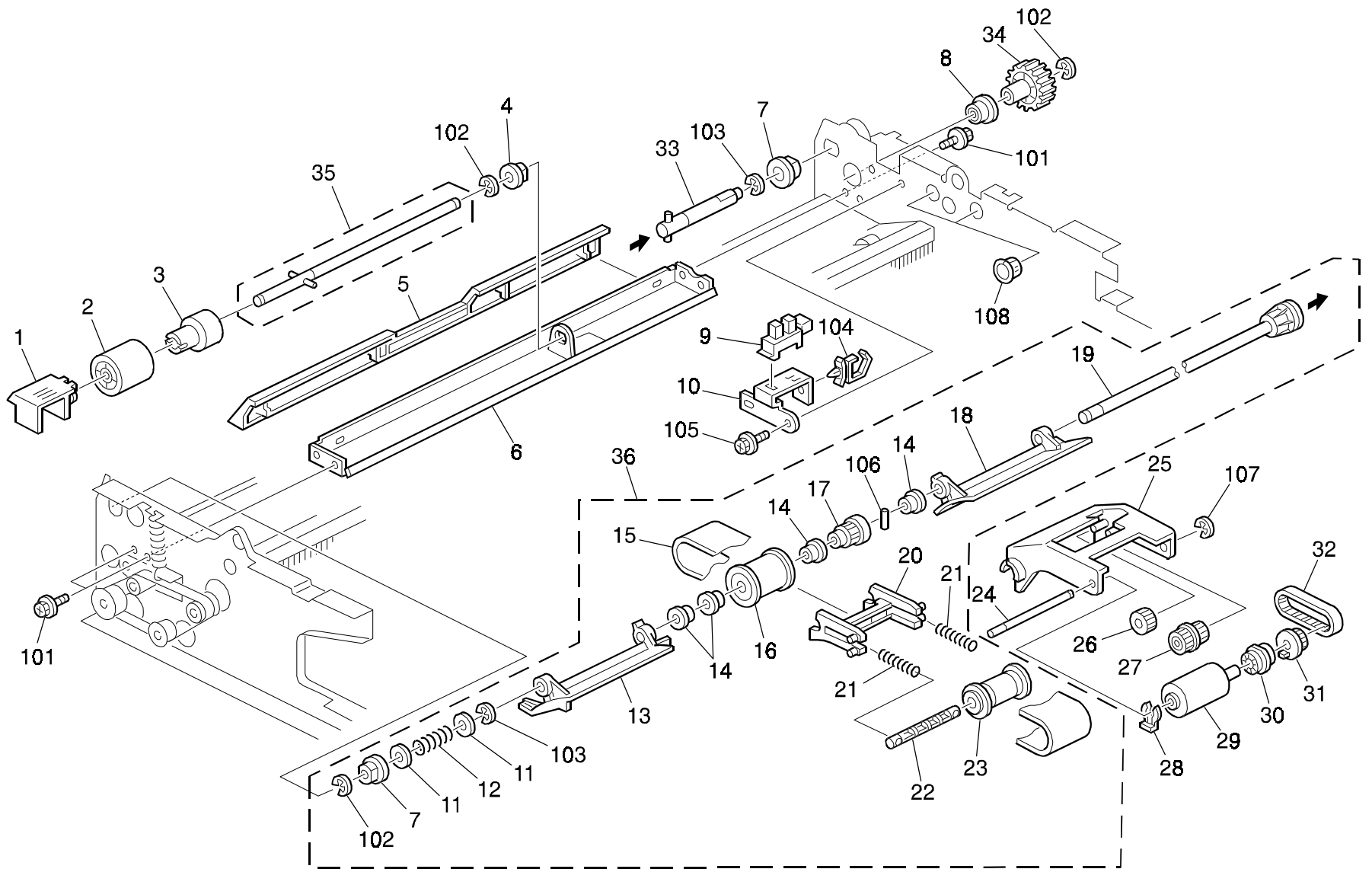


2.ORIGINAL FEED 1 (A859)

Index No.	Part No.	Description	Q'ty Per Assembly
1	5447 2681	Snap Ring	1
2	H060 2126	Bushing - M6x7	2
3	5215 2621	Snap Ring - M6	1
4	A859 2355	Lever - Pressure Plate	1
5	A859 4720	Side Fence Back Ass'y	1
6	A859 2311	Guide Plate - Paper Feed	1
7	A859 4631	Paper Tray - Behind	1
8	A859 2318	Cushion - Base	2
9	A859 2317	Guide - Separation Pad	1
10	A859 2315	Separation Pad	1
11	AW02 0075	Photointerruptor	1
12	A859 5705	Relay Harness - SENSOR	1
13	A859 2353	Pressure Plate - Base	1
14	A859 2354	Shaft - Base	1
15	A859 4876	Cushion - Left	1
16	A859 2352	Pad - Pressure Plate	1
17	A859 2351	Base - Paper Feed	1
18	A858 4681	Sheet - Paper Tray	1
19	A351 4951	Left Side Guide Pad	2
20	A859 4710	Side Fence Front Ass'y	1
21	A859 6041	Decal - Side Fence	1
22	G012 1531	Magnet	2
23	A859 6031	Decal - Paper Tray	1
24	A859 4621	Paper Tray	1
25	A859 4662	Rack - Rear Side Fence	1
26	A859 4663	Electrode Plate - Side Fence	1
27	A859 4665	Gear - 16Z	1
28	A859 4661	Rack - Front Side Fence	1
29	A859 5702	Harness - Original Tray	1
30	A859 5550	Paper Size Sensor Board	1
31	AW01 0087	Photo Sensor - Ass'y	2
32	A859 2356	Cushion - Base Bottom	3
33	A859 4664	Sheet - Paper Size Sensor Board	1
34	A859 6023	Decal - Green	2

Index No.	Part No.	Description	Q'ty Per Assembly
101	0451 3006B	Tapping Screw - M3x6	
102	0452 3008B	Tapping Screw - M3x8	
103	0450 3008B	Tapping Screw - M3x8	

3.ORIGINAL FEED 2 (A859)

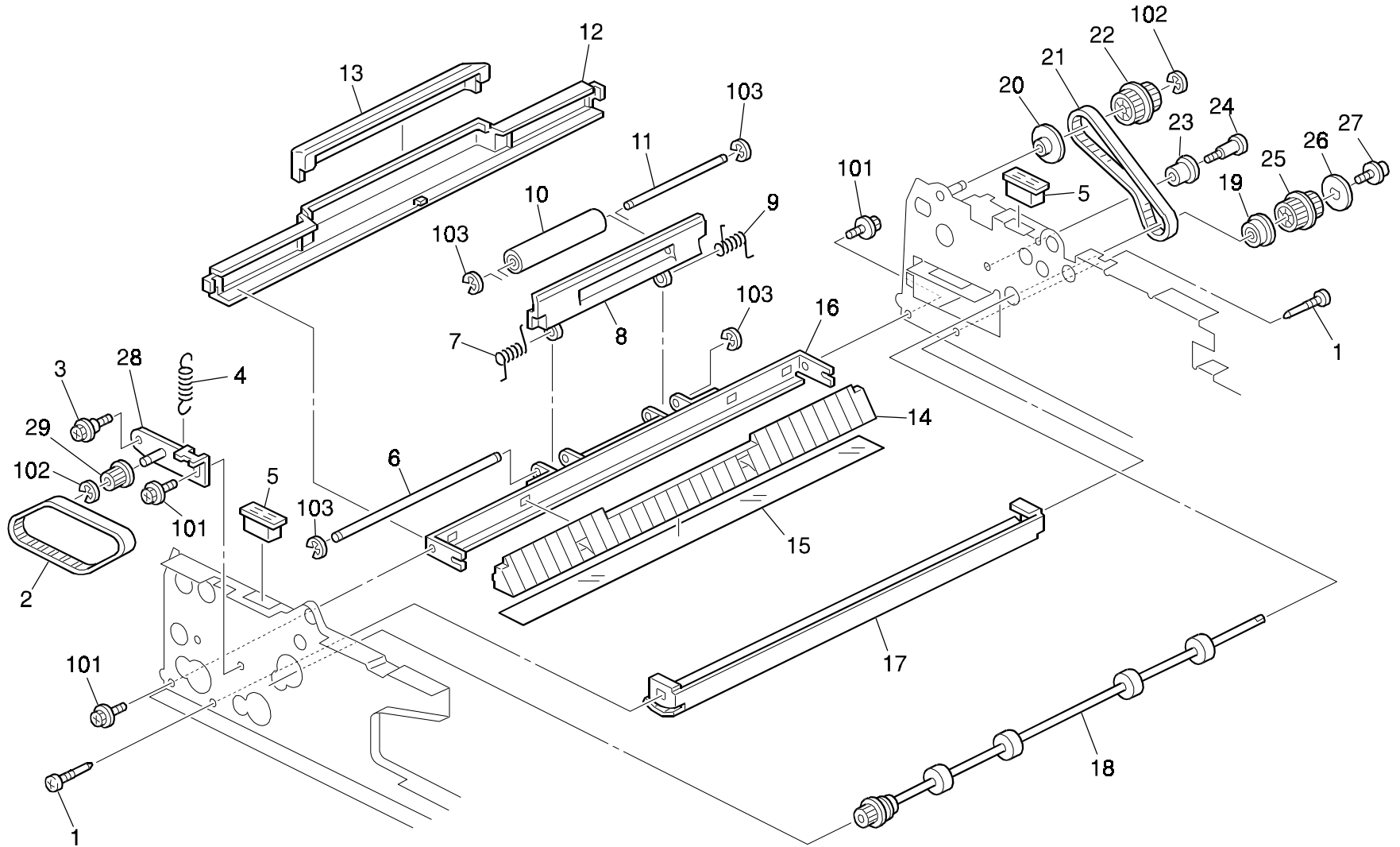


3.ORIGINAL FEED 2 (A859)

Index No.	Part No.	Description	Q'ty Per Assembly
1	A859 2220	Cover - Reverse Roller	1
2	A859 2241	Reverse Roller	1
3	A247 2900	Torque Limiter - 53mnm	1
4	5053 0447	Bushing - 6mm	1
5	A859 1621	Separation Guide	1
6	A859 1610	Separation Stay	1
7	5304 1639	Bushing - 8mm	1
8	A859 2230	Ball Bearing - 6x13x5	1
9	AW02 0075	Photointerruptor	1
10	A859 1123	Sensor Bracket	1
11	AA13 2013	Spacer	2
12	AA06 3315	Spring - Belt Drive Shaft	1
13	A859 2132	Paper Feed Front Guide	1
14	A628 1225	Bushing - 8mm	4
15	A859 2141	Paper Feed Belt	1
16	A859 2114	Drive Roller - Paper Feed Belt	1
17	A859 2121	Drive Gear - Pick Up	1
18	A859 2131	Paper Feed Rear Guide	1
19	A859 2120	Drive Shaft - Paper Feed Belt	1
20	A859 2110	Belt Holder	1
21	AA06 3318	Spring - Belt Guide Roller	2
22	A859 2112	Drive Shaft - Paper Feed Belt	1
23	A859 2113	Driven Roller - Paper Feed Belt	1
24	A859 2162	Shaft - Pick Up Roller	1
25	A859 2151	Holder - Pick Up	1
26	A859 2167	Gear - 22Z	1
27	A859 2168	Pulley - 20T/22Z	1
28	5206 2686	Snap Ring	1
29	A859 2161	Pickup Roller	1
30	A859 2163	Collar - Pick Up	1
31	A859 2164	Timing Pulley	1
32	A859 2166	Timing Belt - B40M100	1
33	A859 4216	Shaft - Electromagnetic Clutch	1
34	A859 4221	Gear - 31Z	1
35	A859 2210	Shaft - Reverse Roller	1

Index No.	Part No.	Description	Q'ty Per Assembly
36	A859 2100	Belt Unit - Paper Feed	1
101	0802 5265	Tapping Screw - M3x6	
102	0720 0040B	Retaining Ring - M4	
103	0720 0060B	Retaining Ring - M6	
104	1105 0310	Harness Clamp - LWS-1S	
105	0451 3006B	Tapping Screw - M3x6	
106	0632 0100	Parallel Pin - M2x10	
107	0720 0030B	Retaining Ring - M3	
108	1106 0193	Bushing - 7.9mm	

4.ORIGINAL EXIT 1 (A859)

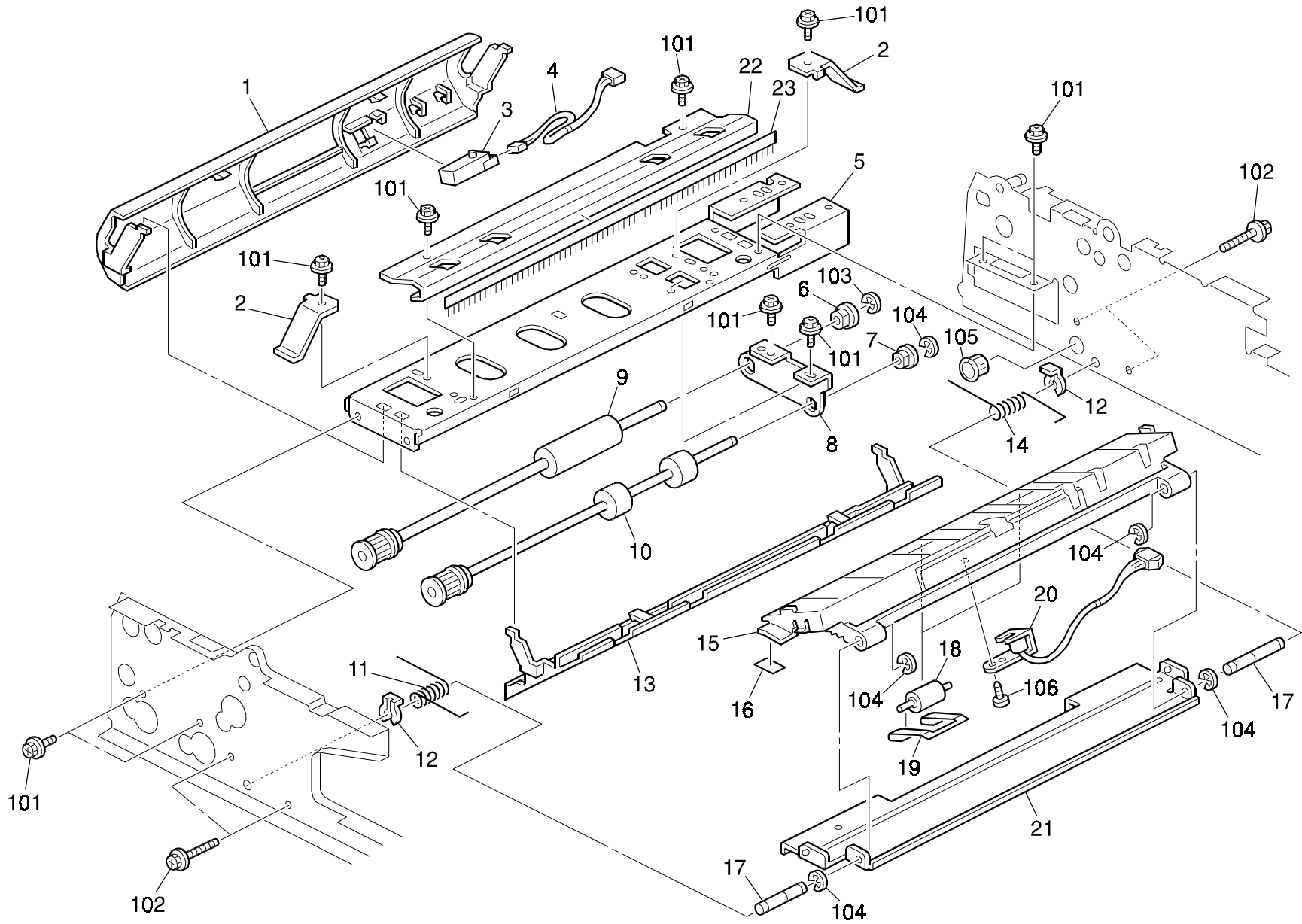


4.ORIGINAL EXIT 1 (A859)

Index No.	Part No.	Description	Q'ty Per Assembly
1	5446 2824	Screw - Duplex Guide Plate	2
2	A859 4331	Timing Belt - B60M240	1
3	A697 1125	Stepped Screw - Lever	1
4	A859 4341	Tension Spring	1
5	A859 1181	Magnet Catch	2
6	A859 3317	Shaft - Contact Point	1
7	A859 3318	Torsion Spring - Front	1
8	A859 3316	Lever - Pullout	1
9	A859 3319	Torsion Spring - Rear	1
10	A859 3311	Transport Driven Roller	1
11	A859 3313	Driven Shaft - Pressure	1
12	A859 4851	Left Lower Cover	1
13	A859 4856	Cover - Driven	1
14	A859 1721	Left Lower Guide	1
15	A859 1722	Entrance Guide	1
16	A859 1710	Left Lower Stay	1
17	A859 3511	Guide - Exposure Glass	1
18	A859 3130	Exit Roller - Drive	1
19	A859 2230	Ball Bearing - 6x13x5	1
20	A859 4222	Flange - Pulley	1
21	AA04 3468	Timing Belt - SM230	1
22	A859 4231	Gear - 20Z/36T	1
23	A859 4141	Pulley - Idler	1
24	AA14 3444	Stepped Screw	1
25	A859 4271	Timing Pulley - T31/T32	1
26	A859 4272	Flange	1
27	A590 2214	Screw - M3X5	1
28	A859 4311	Adjusting Pin	1
29	A859 4321	Timing Pulley - 20T	1

Index No.	Part No.	Description	Q'ty Per Assembly
101	0451 3006B	Tapping Screw - M3x6	
102	0720 0040B	Retaining Ring - M4	
103	0720 0030B	Retaining Ring - M3	

5.ORIGINAL EXIT 2 (A859)

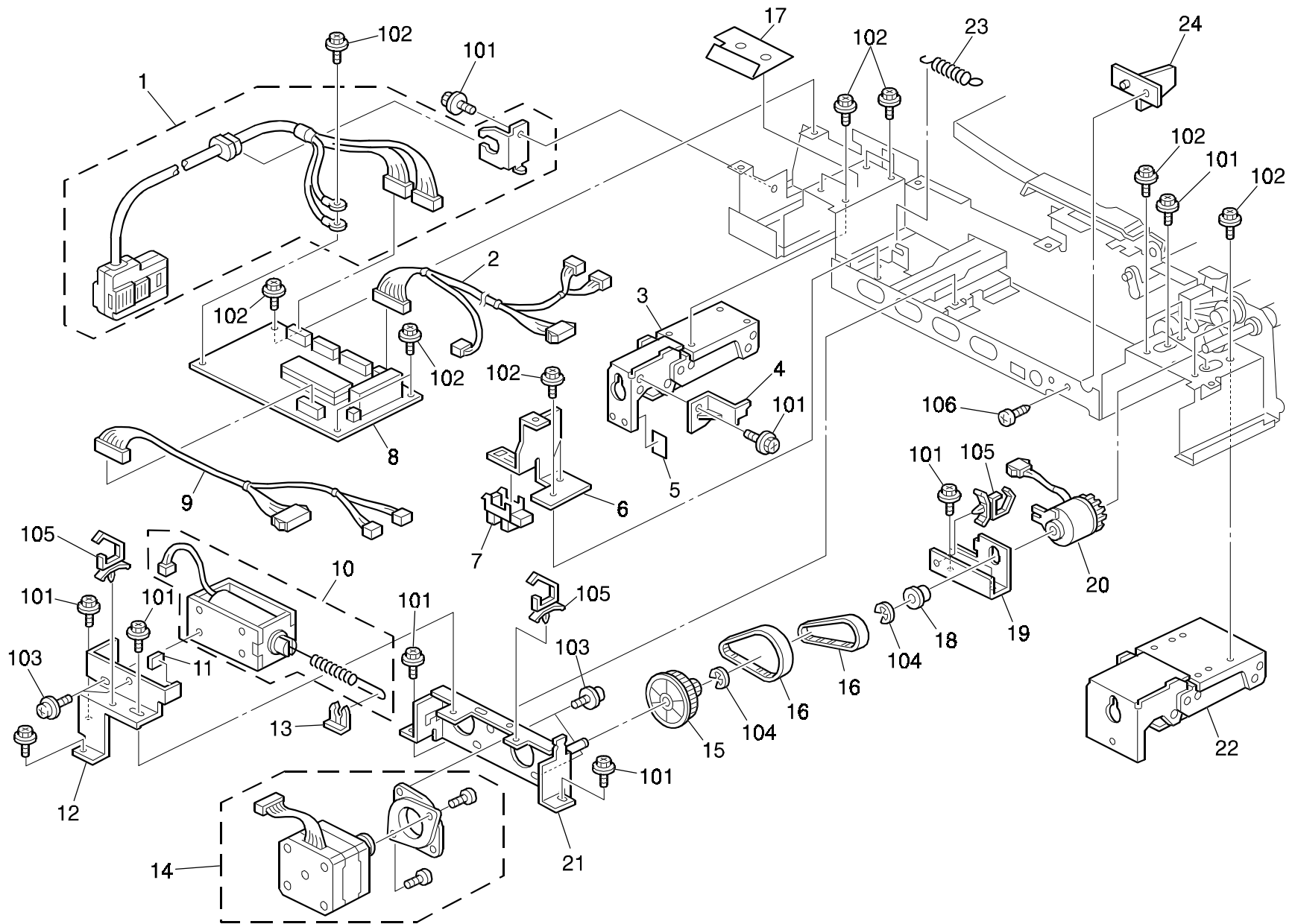


5.ORIGINAL EXIT 2 (A859)







Index No.	Part No.	Description	Q'ty Per Assembly
1	A859 3210	Guide Plate - Transport Roller	1
2	A859 1322	Spring Plate	2
3	AW01 0076	Photosensor - PS-117D1	1
4	A859 5705	Relay Harness - Sensor	1
5	A859 1311	Left Stay	1
6	5304 1639	Bushing - 8mm	1
7	5053 0447	Bushing - 6mm	1
8	A859 1320	Bracket - Transport Roller	1
9	A859 3110	Transport Roller	1
10	A859 3120	Transport Roller - Middle	1
11	A859 3431	Spring - Front	1
12	5447 2681	Snap Ring	2
13	A859 3220	Guide Plate - Upper Exit	1
14	A859 3430	Spring - Rear	1
15	A859 3411	Exit Guide Plate	1
16	A859 6023	Decal - Green	1
17	A859 3412	Shaft - Exit Guide Plate	2
18	A859 3420	Middle Driven Roller	2
19	A859 3425	Spring Plate	2
20	H511 5006	Stamper	1
21	A859 3413	Cover - Exit Guide Plate	1
22	A859 3240	Shutter - Upper Exit	1
23	A859 3225	Discharge Brush	1

Index No.	Part No.	Description	Q'ty Per Assembly
101	0451 3006B	Tapping Screw - M3x6	
102	0451 4014B	Tapping Screw - M4x14	
103	0720 0060B	Retaining Ring - M6	
104	0720 0040B	Retaining Ring - M4	
105	1106 0193	Bushing - 7.9mm	
106	0452 3008B	Tapping Screw - M3x8	

6.ELECTRICAL SECTION (A859)

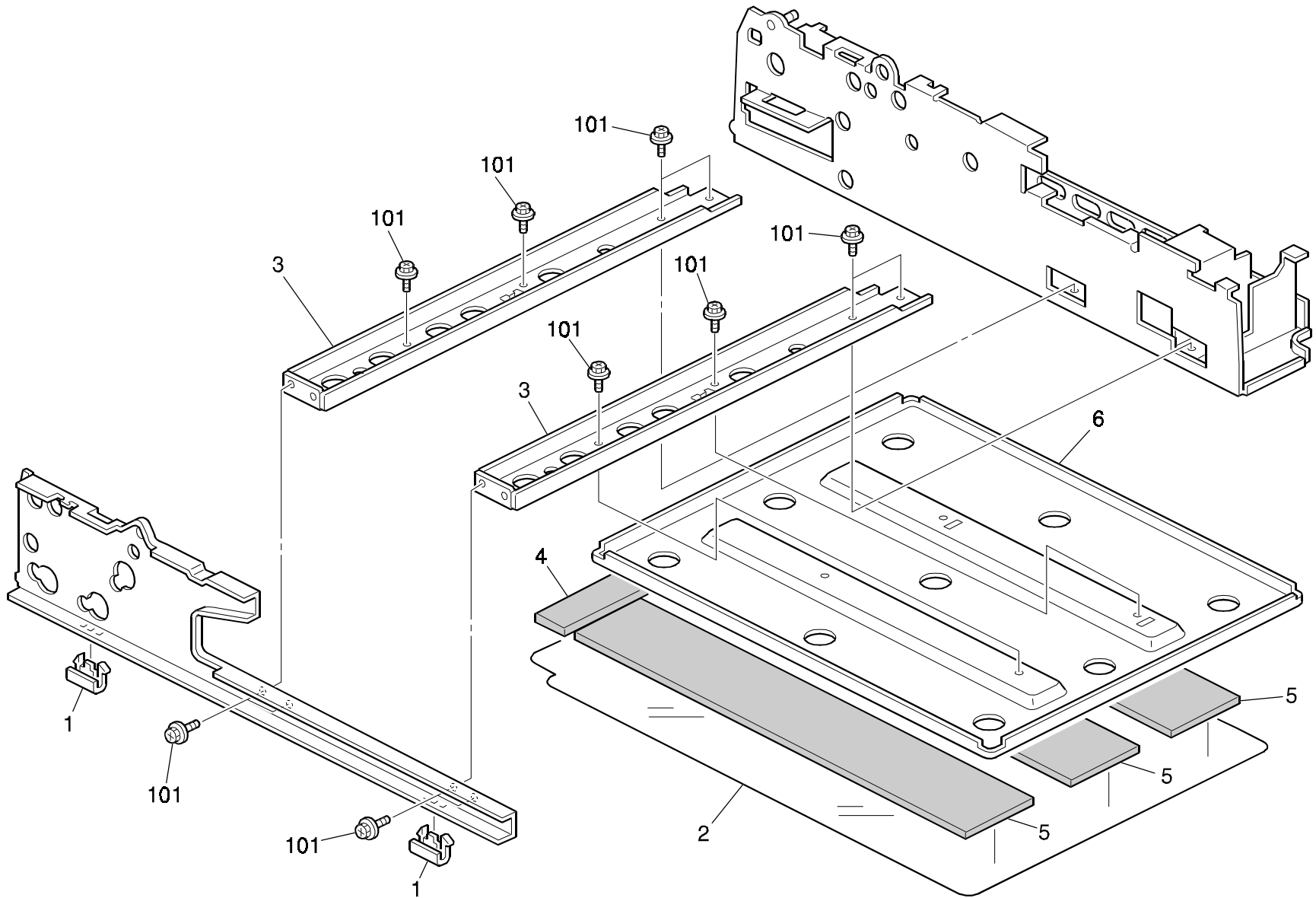


6.ELECTRICAL SECTION (A859)

Index No.	Part No.	Description	Q'ty Per Assembly
	1 A859 5800	Harness - Interface	1
	2 A859 5700	Main Harness	1
	3 A859 1831	Right Hinge	1
	4 A859 1841	Feeler - DF Openn Sensor	1
	5 A334 4678	Rack Shield Mylar	1
	6 A859 1122	Right Sensor Bracket	1
	7 AW02 0075	Photointerruptor	1
	8 A859 5510	Main Control Board	1
	9 A859 5704	Harness - Transport Motor	1
	10 A859 4421	DC Solenoid	1
	11 A028 3264	Stopper Cushion	1
	12 A859 4411	Bracket - Solenoid	1
	13 5206 2686	Snap Ring	1
	14 A859 4121	DC Stepper Motor - 6.2W	1
	15 A661 1884	Pulley - 20T/48T	1
	16 A859 4171	Timing Belt - B40M138	2
	17 A859 1131	Insulating Sheet	1
	18 5304 1639	Bushing - 8mm	1
	19 A859 1315	Bracket - Electromagnetic Clutch	1
	20 AX21 0071	Electromagnetic Clutch - 30Z	1
	21 A859 4111	Bracket - Hunt Motor	1
	22 A859 1811	Left Hinge	1
	23 A859 4197	Tension Spring - Motor	1
	24 A859 1121	Feeler - APS	1
			

Index No.	Part No.	Description	Q'ty Per Assembly
101	0451 3006B	Tapping Screw - M3x6	
102	0451 4006B	Tapping Screw - 4x6	
103	0951 3006B	Philips Screw With Flat Washer - M3x6	
104	0720 0040B	Retaining Ring - M4	
105	1105 0310	Harness Clamp - LWS-1S	
106	0452 3008B	Tapping Screw - M3x8	

7.FRAME SECTION (A859)




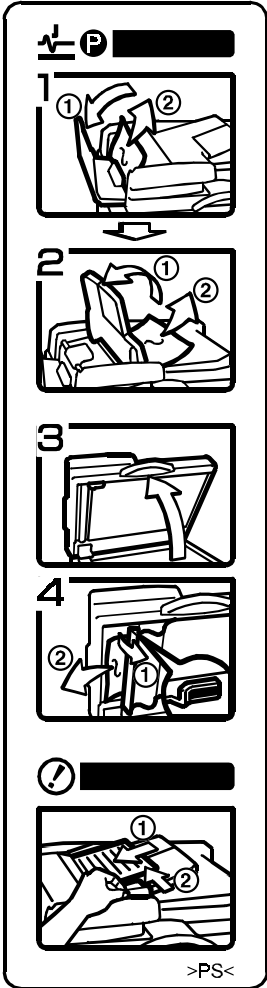
7.FRAME SECTION (A859)

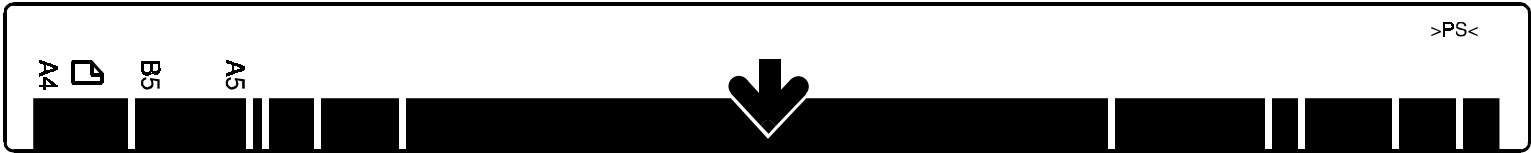
Index No.	Part No.	Description	Q'ty Per Assembly
1	A859 1221	Spacer - DF	2
2	A859 3611	Sheet - Platen Cover	1
3	A859 1511	Middle Stay	2
4	A859 3614	Sponge - Left Platen Cover	1
5	A859 3613	Sponge - Platen Cover	3
6	A859 3615	Base - Platen Cover	1

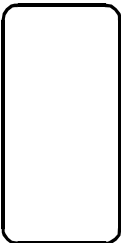
Index No.	Part No.	Description	Q'ty Per Assembly
101	0451 3006B	Tapping Screw - M3x6	

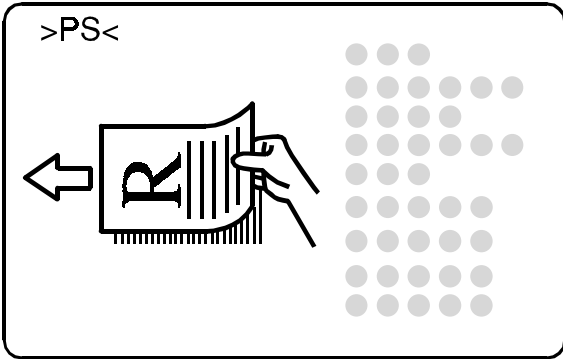
8.DECAL AND DOCUMENT (A859)

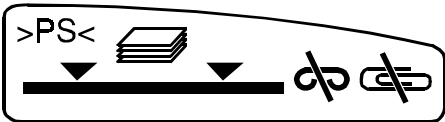
1 

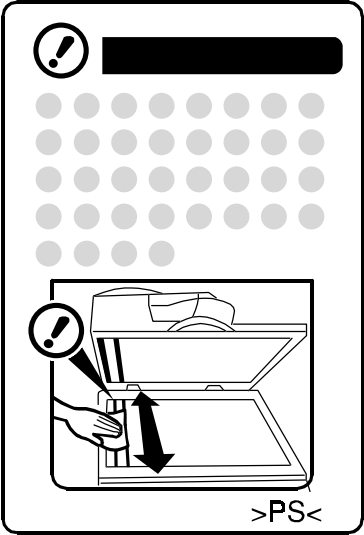
2 

3 

4 

5 

6 

7 

PARTS INDEX

PM Parts Index

Section Name	Part No.	Description in Service Manual	Description in Parts Catalog	Q'ty Per Assembly	Page and Index No
ORIGINAL FEED 2 (A859)	A859 2241	Separation Roller	Reverse Roller	1	7- 2
	A859 2141	Transport Belt	Paper Feed Belt	1	7- 15
	A859 2161	Pick-up Roller	Pickup Roller	1	7- 29

Parts Index

Part No.	Description	Page and Index No.
A859 1121	Feeler - APS	13- 24
A859 1122	Right Sensor Bracket	13- 6
A859 1123	Sensor Bracket	7- 10
A859 1131	Insulating Sheet	13- 17
A859 1181	Magnet Catch	9- 5
A859 1221	Spacer - DF	15- 1
A859 1311	Left Stay	11- 5
A859 1315	Bracket - Electromagnetic Clutch	13- 19
A859 1320	Bracket - Transport Roller	11- 8
A859 1322	Spring Plate	11- 2
A859 1511	Middle Stay	15- 3
A859 1610	Separation Stay	7- 6
A859 1621	Separation Guide	7- 5
A859 1710	Left Lower Stay	9- 16
A859 1721	Left Lower Guide	9- 14
A859 1722	Entrance Guide	9- 15
A859 1811	Left Hinge	13- 22
A859 1831	Right Hinge	13- 3
A859 1841	Feeler - DF Opern Sensor	13- 4
A859 2100	Belt Unit - Paper Feed	7- 36
A859 2110	Belt Holder	7- 20
A859 2112	Drive Shaft - Paper Feed Belt	7- 22
A859 2113	Driven Roller - Paper Feed Belt	7- 23
A859 2114	Drive Roller - Paper Feed Belt	7- 16
A859 2120	Drive Shaft - Paper Feed Belt	7- 19
A859 2121	Drive Gear - Pick Up	7- 17
A859 2131	Paper Feed Rear Guide	7- 18
A859 2132	Paper Feed Front Guide	7- 13
A859 2141	Paper Feed Belt	7- 15
A859 2151	Holder - Pick Up	7- 25
A859 2161	Pickup Roller	7- 29
A859 2162	Shaft - Pick Up Roller	7- 24
A859 2163	Collar - Pick Up	7- 30
A859 2164	Timing Pulley	7- 31
A859 2166	Timing Belt - B40M100	7- 32

Part No.	Description	Page and Index No
A859 2167	Gear - 22Z	7- 26
A859 2168	Pulley - 20T/22Z	7- 27
A859 2210	Shaft - Reverse Roller	7- 35
A859 2220	Cover - Reverse Roller	7- 1
A859 2230	Ball Bearing - 6x13x5	7- 8
A859 2230	Ball Bearing - 6x13x5	9- 19
A859 2241	Reverse Roller	7- 2
A859 2311	Guide Plate - Paper Feed	5- 6
A859 2315	Separation Pad	5- 10
A859 2317	Guide - Separation Pad	5- 9
A859 2318	Cushion - Base	5- 8
A859 2351	Base - Paper Feed	5- 17
A859 2352	Pad - Pressure Plate	5- 16
A859 2353	Pressure Plate - Base	5- 13
A859 2354	Shaft - Base	5- 14
A859 2355	Lever - Pressure Plate	5- 4
A859 2356	Cushion - Base Bottom	5- 32
A859 3110	Transport Roller	11- 9
A859 3120	Transport Roller - Middle	11- 10
A859 3130	Exit Roller - Drive	9- 18
A859 3210	Guide Plate - Transport Roller	11- 1
A859 3220	Guide Plate - Upper Exit	11- 13
A859 3225	Discharge Brush	11- 23
A859 3240	Shutter - Upper Exit	11- 22
A859 3311	Transport Driven Roller	9- 10
A859 3313	Driven Shaft - Pressure	9- 11
A859 3316	Lever - Pullout	9- 8
A859 3317	Shaft - Contact Point	9- 6
A859 3318	Torsion Spring - Front	9- 7
A859 3319	Torsion Spring - Rear	9- 9
A859 3411	Exit Guide Plate	11- 15
A859 3412	Shaft - Exit Guide Plate	11- 17
A859 3413	Cover - Exit Guide Plate	11- 21
A859 3420	Middle Driven Roller	11- 18
A859 3425	Spring Plate	11- 19

Part No.	Description	Page and Index No.
A859 3430	Spring - Rear	11- 14
A859 3431	Spring - Front	11- 11
A859 3511	Guide - Exposure Glass	9- 17
A859 3611	Sheet - Platen Cover	15- 2
A859 3613	Sponge - Platen Cover	15- 5
A859 3614	Sponge - Left Platen Cover	15- 4
A859 3615	Base - Platen Cover	15- 6
A859 4111	Bracket - Hunt Motor	13- 21
A859 4121	DC Stepper Motor - 6.2W	13- 14
A859 4141	Pulley - Idler	9- 23
A859 4171	Timing Belt - B40M138	13- 16
A859 4197	Tension Spring - Motor	13- 23
A859 4216	Shaft - Electromagnetic Clutch	7- 33
A859 4221	Gear - 31Z	7- 34
A859 4222	Flange - Pulley	9- 20
A859 4231	Gear - 20Z/36T	9- 22
A859 4271	Timing Pulley - T31/T32	9- 25
A859 4272	Flange	9- 26
A859 4311	Adjusting Pin	9- 28
A859 4321	Timing Pulley - 20T	9- 29
A859 4331	Timing Belt - B60M240	9- 2
A859 4341	Tension Spring	9- 4
A859 4411	Bracket - Solenoid	13- 12
A859 4421	DC Solenoid	13- 10
A859 4621	Paper Tray	5- 24
A859 4631	Paper Tray - Behind	5- 7
A859 4661	Rack - Front Side Fence	5- 28
A859 4662	Rack - Rear Side Fence	5- 25
A859 4663	Electrode Plate - Side Fence	5- 26
A859 4664	Sheet - Paper Size Sensor Board	5- 33
A859 4665	Gear - 16Z	5- 27
A859 4710	Side Fence Front Ass'y	5- 20
A859 4720	Side Fence Back Ass'y	5- 5
A859 4811	Front Cover	3- 1
A859 4821	Rear Cover	3- 15

Part No.	Description	Page and Index No
A859 4831	Upper Cover	3- 14
A859 4836	Bushing - Exit Driven Roller	3- 12
A859 4837	Exit Driven Roller	3- 13
A859 4841	Left Cover	3- 8
A859 4851	Left Lower Cover	9- 12
A859 4856	Cover - Driven	9- 13
A859 4871	Feeler - Original Sensor	3- 5
A859 4872	Bracket - Feeler	3- 6
A859 4873	Positioning Plate	3- 4
A859 4876	Cushion - Left	5- 15
A859 4881	Cushion - Paper Feed	3- 7
A859 5510	Main Control Board	13- 8
A859 5550	Paper Size Sensor Board	5- 30
A859 5700	Main Harness	13- 2
A859 5702	Harness - Original Tray	5- 29
A859 5704	Harness - Transport Motor	13- 9
A859 5705	Relay Harness - SENSOR	5- 12
A859 5705	Relay Harness - Sensor	11- 4
A859 5800	Harness - Interface	13- 1
A859 6011	Decal - Misfeed Removal	17- 2
A859 6011	Decal - Misfeed Removal	3- 9
A859 6021	Decal - Size Indication	3- 10
A859 6021	Decal - Size Indication	17- 3
A859 6023	Decal - Green	11- 16
A859 6023	Decal - Green	17- 4
A859 6023	Decal - Green	5- 34
A859 6031	Decal - Paper Tray	17- 5
A859 6031	Decal - Paper Tray	5- 23
A859 6041	Decal - Side Fence	5- 21
A859 6041	Decal - Side Fence	17- 6
A859 6052	Decal - Exposure Glass	17- 7
A859 6052	Decal - Exposure Glass	3- 19
A859 6061	Decal - Original Scale - LT	17- 1
A859 6061	Decal - Original Scale - LT	3- 20
A859 7101	Scale	3- 16

Part No.	Description	Page and Index No.
A859 7211	Stepped Screw	3- 18

Part No.	Description	Page and Index No
AA04 3468	Timing Belt - SM230	9- 21
AA06 3311	Transport Roller Spring	3- 11
AA06 3315	Spring - Belt Drive Shaft	7- 12
AA06 3318	Spring - Belt Guide Roller	7- 21
AA13 2013	Spacer	7- 11
AA14 3444	Stepped Screw	9- 24
AC01 3004	Exposure Glass	3- 17
AW01 0076	Photosensor - PS-117D1	11- 3
AW01 0087	Photo Sensor - Ass'y	5- 31
AW02 0075	Photointerruptor	7- 9
AW02 0075	Photointerruptor	5- 11
AW02 0075	Photointerruptor	13- 7
AX21 0071	Electromagnetic Clutch - 30Z	13- 20
G012 1531	Magnet	5- 22
H060 2126	Bushing - M6x7	5- 2
H511 5006	Stamper	11- 20

Part No.	Description	Page and Index No.
A028 3264	Stopper Cushion	13- 11
A247 2900	Torque Limiter - 53mnm	7- 3
A334 4678	Rack Shield Mylar	13- 5
A351 4951	Left Side Guide Pad	5- 19
A590 2214	Screw - M3X5	9- 27
A628 1225	Bushing - 8mm	7- 14
A628 3115	Knob Screw - M4	3- 2
A628 3115	Knob Screw - M4	3- 21
A628 3118	Screw Driver - DF	3- 22
A661 1884	Pulley - 20T/48T	13- 15
A697 1125	Stepped Screw - Lever	9- 3
A858 4681	Sheet - Paper Tray	5- 18
A858 6051	Decal - Scale (A4)	3- 20
A858 6051	Decal - Scale	17- 1

Part No.	Description	Page and Index No
5053 0447	Bushing - 6mm	7- 4
5053 0447	Bushing - 6mm	11- 7
5206 2686	Snap Ring	13- 13
5206 2686	Snap Ring	7- 28
5215 2621	Snap Ring - M6	5- 3
5304 1639	Bushing - 8mm	11- 6
5304 1639	Bushing - 8mm	13- 18
5304 1639	Bushing - 8mm	7- 7
5446 2824	Screw - Duplex Guide Plate	9- 1
5446 2824	Screw - Duplex Guide Plate	3- 3
5447 2681	Snap Ring	11- 12
5447 2681	Snap Ring	5- 1

Part No.	Description	Page and Index No.
0450 3008B	Tapping Screw - M3x8	5-103
0451 3006B	Tapping Screw - M3x6	7-105
0451 3006B	Tapping Screw - M3x6	13-101
0451 3006B	Tapping Screw - M3x6	11-101
0451 3006B	Tapping Screw - M3x6	3-101
0451 3006B	Tapping Screw - M3x6	9-101
0451 3006B	Tapping Screw - M3x6	15-101
0451 3006B	Tapping Screw - M3x6	5-101
0451 4006B	Tapping Screw - 4x6	13-102
0451 4014B	Tapping Screw - M4x14	11-102
0452 3008B	Tapping Screw - M3x8	13-106
0452 3008B	Tapping Screw - M3x8	3-102
0452 3008B	Tapping Screw - M3x8	5-102
0452 3008B	Tapping Screw - M3x8	11-106
0632 0100	Parallel Pin - M2x10	7-106
0720 0030B	Retaining Ring - M3	7-107
0720 0030B	Retaining Ring - M3	9-103
0720 0040B	Retaining Ring - M4	11-104
0720 0040B	Retaining Ring - M4	13-104
0720 0040B	Retaining Ring - M4	9-102
0720 0040B	Retaining Ring - M4	7-102
0720 0060B	Retaining Ring - M6	11-103
0720 0060B	Retaining Ring - M6	7-103
0802 5265	Tapping Screw - M3x6	7-101
0951 3006B	Philips Screw With Flat Washer - M3x6	13-103
1105 0310	Harness Clamp - LWS-1S	13-105
1105 0310	Harness Clamp - LWS-1S	7-104
1106 0193	Bushing - 7.9mm	11-105
1106 0193	Bushing - 7.9mm	7-108

Part No.	Description	Page and Index No